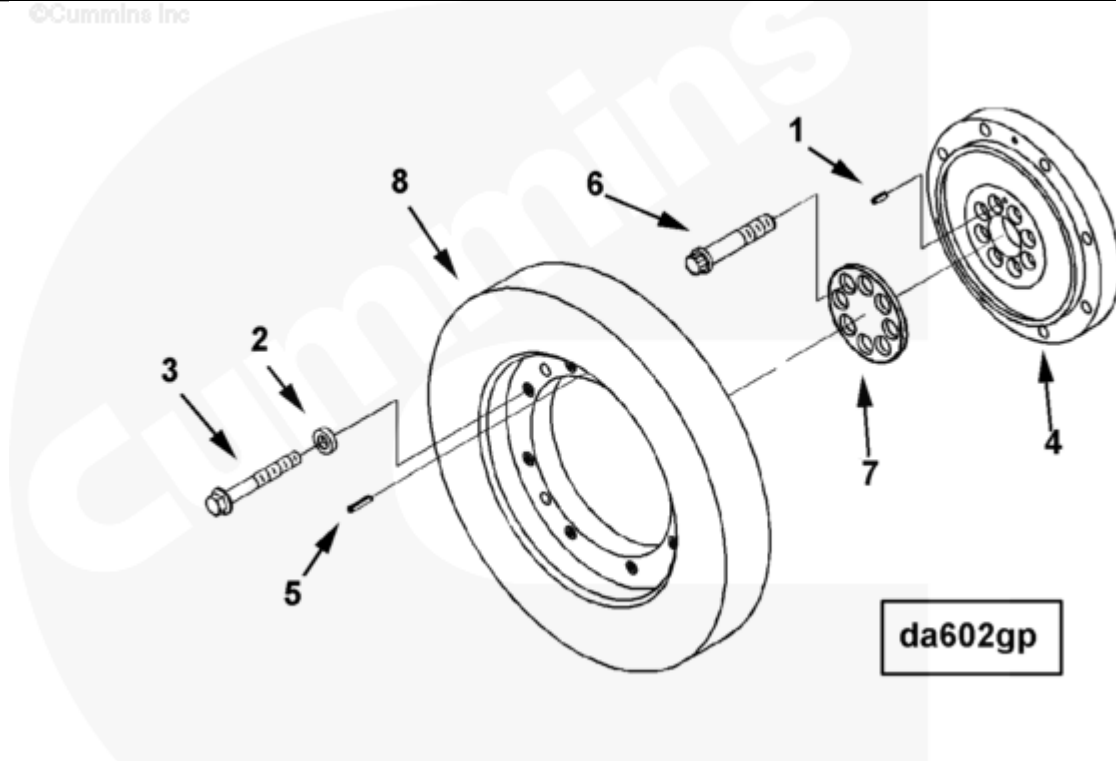




## Parts Catalog - Option Detail

Electronic Parts Catalog - Option Detail				
Option	Group	Graphic	Film Card	Date
DA6105	01.02.2	da602gp	K38	20-MAY-96
<b>Engines</b>	GTA38, K38, KTA38GC CM558, QSK38 CM2150 K106, QSK38 CM2150 MCRS, QSK38 CM850 MCRS			

©Cummins Inc



[SMALL](#) | [MEDIUM](#) | [LARGE](#)

Cart	Ref No	Part Number	Part Description	Required	Remarks
<a href="#">View My Cart</a>					
		DA6105	Vibration Damper		<a href="#">Single high viscosity...(More)</a>
					vibration damper with press
					fit adapter less crank
					pulley.
					For use with remote cooling
					or heat exchanger.
					For KTTA38 applications
					pulling full torque between

					rated and peak torque speeds,
					including constant speed
					applications, but not below
					peak torque. Pitch circle
					diameter of crank attachment
					holes is 3.050inches.
<input type="checkbox"/>	1	<a href="#">131584</a>	Roll Pin	1	
<input type="checkbox"/>	2	<a href="#">3033626</a>	Plain Washer	8	1/2 in.
<input type="checkbox"/>	3	<a href="#">3034574</a>	Hexagon Flange Head Cap Screw	8	9/16 - 18 x 1 7/16 in.
<input type="checkbox"/>	4	<a href="#">3069776</a>	Crankshaft Adapter	1	
<input type="checkbox"/>	5	<a href="#">3033629</a>	Roll Pin	1	
<input type="checkbox"/>	6	<a href="#">3069779</a>	Fracture Resistant Screw	8	3/4 - 16 X 4 Inch.
<input type="checkbox"/>	7	<a href="#">3069781</a>	Crankshaft Spacer	1	
<input type="checkbox"/>	8	<a href="#">3630272</a>	Viscous Vibration Damper	1	